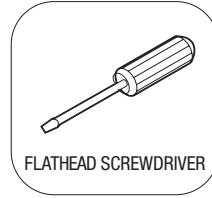
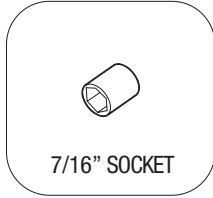


Wayne Dalton Motor Control Board Replacement

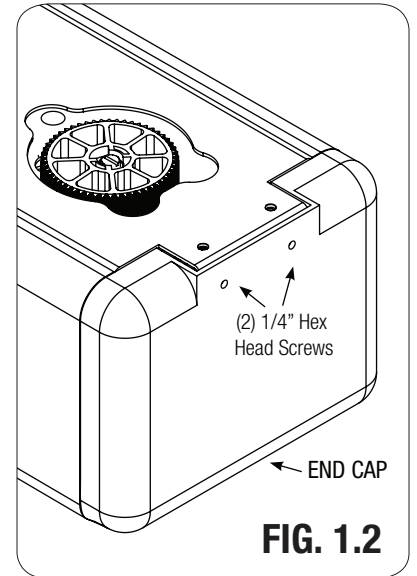
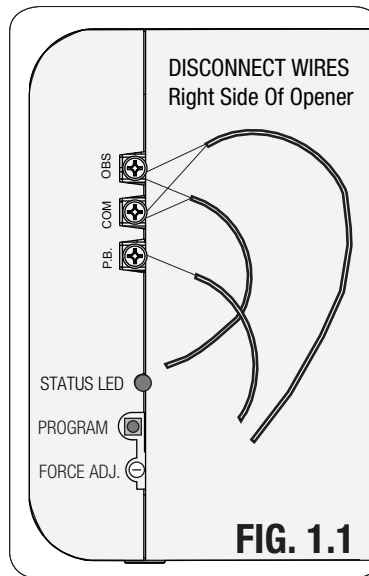
For all Quantum, Classic Drive, and Prodrive Models

● Tools Required



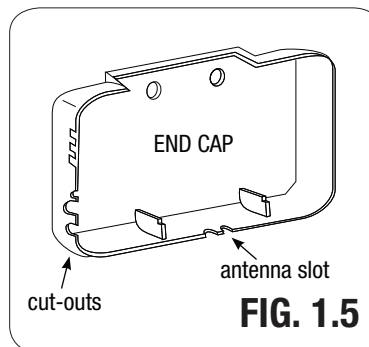
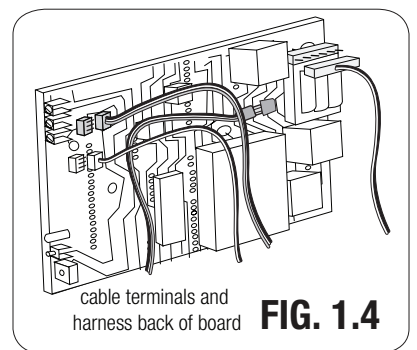
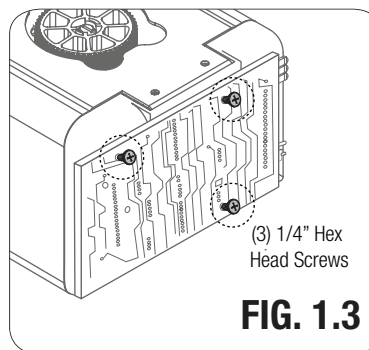
● CONTROL BOARD REMOVAL

- 1 | Unplug garage door motor head from power outlet.
- 2 | Disconnect all wires from push button and safety sensors attached to screws on side **FIG 1.1**
- 3 | Remove (2) hex head screws from end cap and remove end cap to access control board **FIG 1.2**
- 4 | Remove (3) screws securing motor control board. **FIG 1.3**
- 5 | Disconnect (3) cable terminals (white, blue and orange) and (1) harness connectors (slide off with flat head screwdriver) and remove board. **FIG 1.4**



● CONTROL BOARD INSTALL

- 1 | Reconnect same color (3) cable terminals and (1) harness connectors on new control board **FIG 1.4**
- 2 | Reinstall (3) screws securing motor control board. **FIG 1.3**
- 3 | Route antenna wires in notch on bottom of end cap. Reinstall end cap. Ensure terminals and wires are aligned with cutouts. **FIG 1.5**
- 4 | Reinstall (2) hex head screws on end cap **FIG 1.2**
- 5 | Reconnect wires from push button (P.B) and safety sensors (COM and OBS) to screws on right side of motor **FIG 1.1**
- 6 | Plug garage door motor head into power outlet



Wayne Dalton

Motor Control Board Replacement

For all Quantum, Classic Drive, and Prodrive Models

● PROGRAM REMOTE

If your remote or wall station has a GREEN LED and a U or UH in the model number - Follow the 10-5 process prior to programming.

- 1 | Press and release the program button on right side of motor below the red program status light. Light should come on solid.
- 2 | Press and release button on remote. Program status light will go out then flash 3 times indicating successful remote programming.
- 3 | Press same remote button and door should operate.

● 10-5 PROCESS

- 1 | Press and hold button on remote for 10 seconds until LED starts flashing rapidly.
- 2 | Once flashing release button and then press and hold same button again for 5 seconds until LED flashes rapidly again - release button.
- 3 | NOTE: Remote will send teach commands for the next 5 button presses. After 5 the remote will only send door commands.

● PROGRAM WALL STATION

- 1 | Press and release the program button on right side of motor below the red program status light. Light should come on solid.
- 2 | Press and hold light switch on wireless wall station. Program status light will go out.
- 3 | Release light switch. Program status light will flash 3 times indicating successful wall station programming.
- 4 | Wall station should operate door.