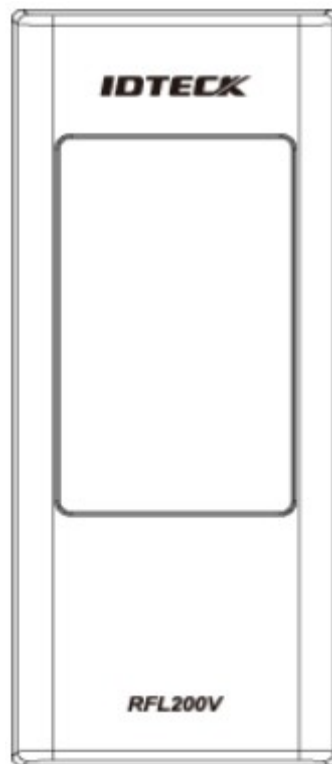


# ***IDTECK* RFL200V**

## STANDALONE CONTROLLER



---



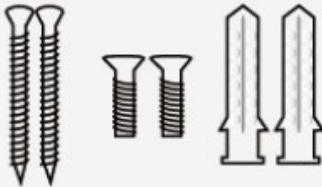

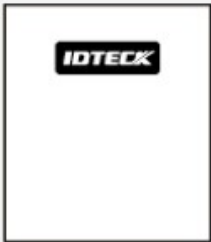
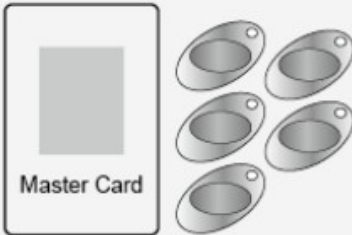

## Table of Contents

1. WHAT'S INCLUDED.....	2
2. CABLE CODED & WIRING TABLE.....	3
3. INSTALLATION .....	4
4. INPUT / OUTPUT CONNECTION.....	5
5. PRODUCT MANUAL DOWNLOAD INFORMATION .....	7

## 1. WHAT'S INCLUDED

Please unpack and check the contents of the box. If any of these parts are missing, please contact a nearby distributor or IDTECK.

### 1. RFL200V Parts

			
Bezel of RFL200V	Reader Module	3.5 x 40 Screws (x2) 3.5 x 25 Screws (x2) 6 x 30 Plastic Anchor (x2)	Diode (x2) (UF4004, 1N4001~4007)
			
Quick Guide	Master Card (x1) Keytag (x5)	3mm Hex Wrench (x1)	


---

## 2. CABLE CODED & WIRING TABLE

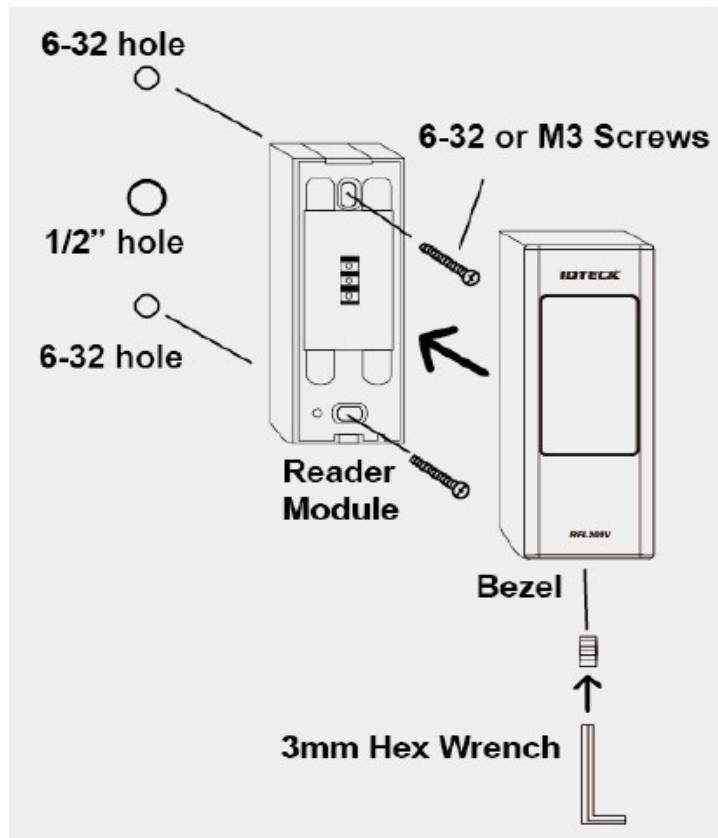
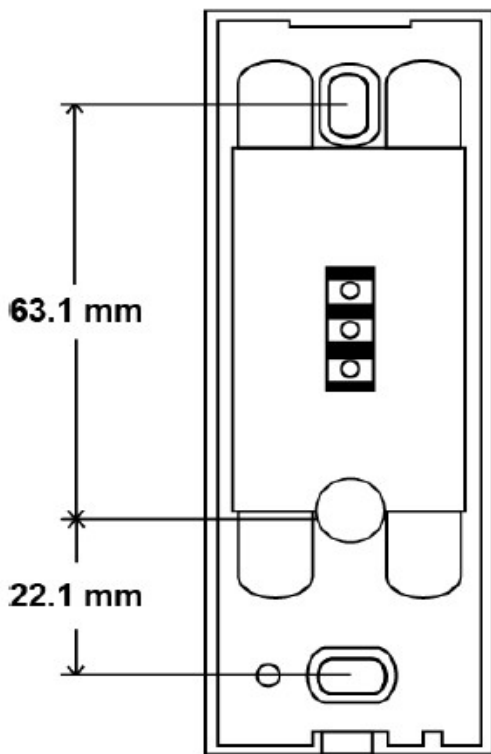
---

## 1. RFL200V Cable coded &amp; Wiring table

Signal	Color
Main Power (+12V)	Red
Power Ground (GND)	Black
Aux Input #1(Select a Lock Type)	Yellow
Door Contact Sensor	Blue
Exit Button	Green
Alarm Out	Purple
Door Lock Out	White
Tamper Output (COM)	Pink
Tamper Output (NC)	Light Yellow
Not Connected	Gray
Not Connected	Orange
Not Connected	Brown

 Please cut out the tail connector before installation.

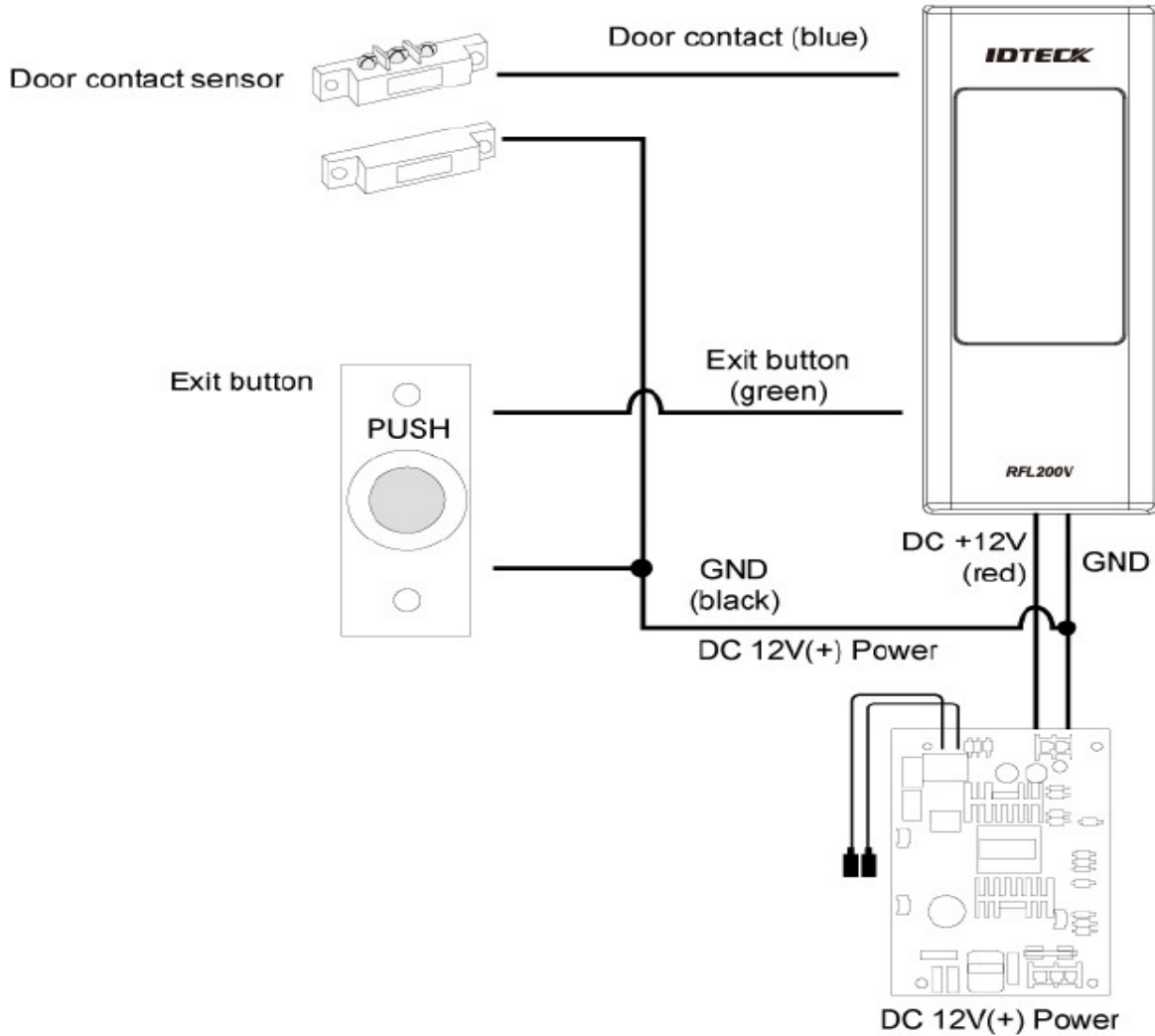
**3. INSTALLATION**



1. Drill a 1/2-inch (12.7 mm) hole on to the center of the door frame or the wall where RFL200V is installed, which makes room for the cable of the reader module.
2. Drill a 6-32 inch hole at the 43.1mm point straight higher from the center hole and at 22.1mm straight Lower, respectively.
3. Insert the reader module into the appearance case and tighten the screw(M6 X 8mm) using the hex wrench.

## 4. Input / Output CONNECTION

### 4-1 Input Connection



#### To Connect the power supply unit

1. Connect the DC+12V to the red line.
2. Connect GND to the black line.

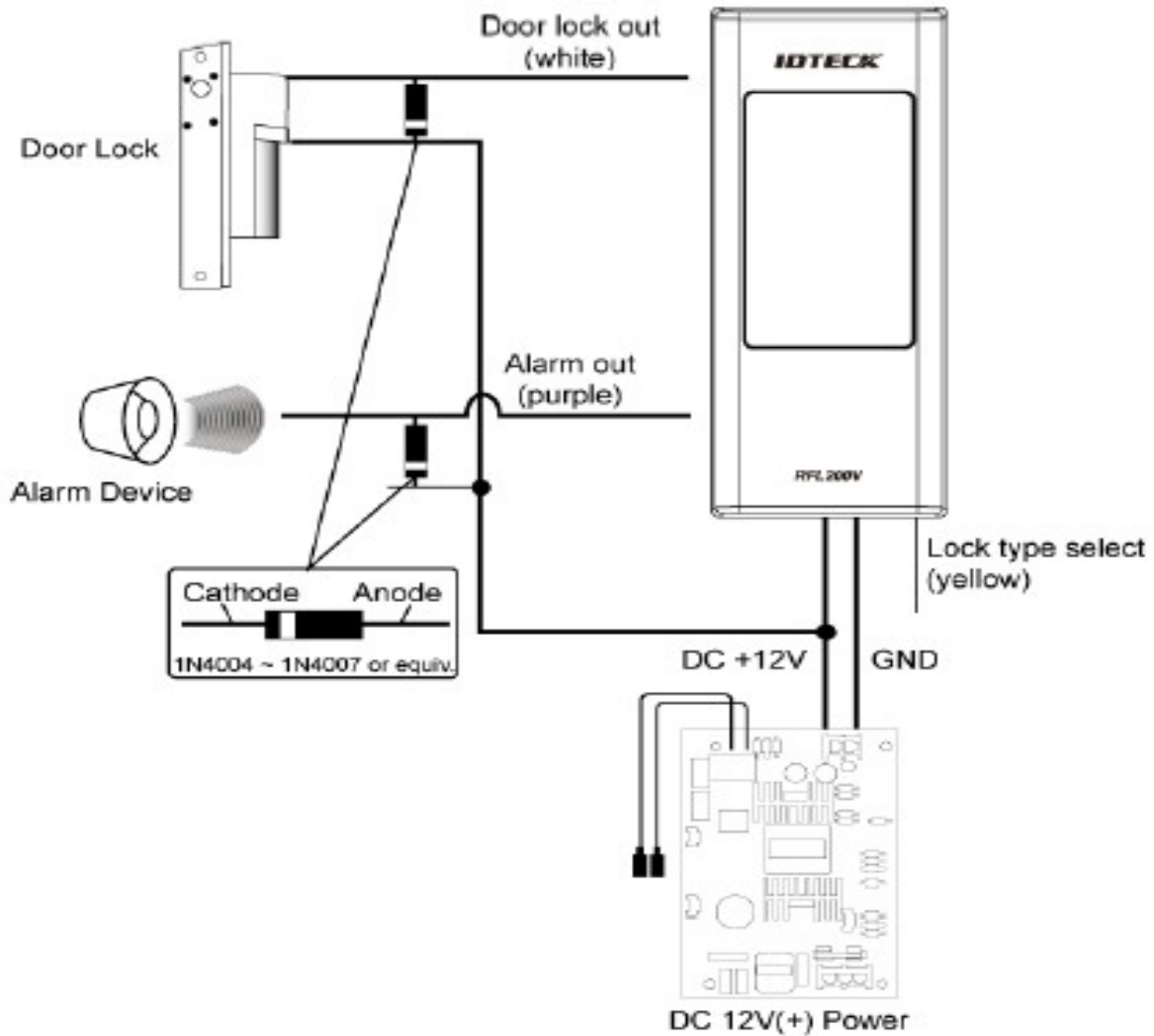
#### To Connect the Door Contact Sensor

1. Connect the COM port of the sensor to the blue line.
2. Connect the NO port of the sensor with the GND line.

#### To connect the Exit Button

1. Connect on end of the button to the green line.
2. Connect the other end of the button the GND.

4-2 Output connection



**To Connect the power supply unit**

1. Connect the DC+12V to the red line.
2. Connect GND to the black line.

**To Connect the Door lock device**

1. Connect the plus(+) line of the lock device to DC+12V.
2. Connect the Minus(-) line of the lock device to the white line.

**To connect the alarm device**

1. Connect plus(+) line of the alarm device to DC+12V.
2. Connect the minus(-) line of the alarm device to the purple line.

**To specify the lock type**

1. POWER FAIL SAFE : Connect the yellow line to GND.
2. POWER FAIL SECURE : Leave the yellow line in the floating state.

## 5. Product manual download information

---

This Quick Installation Guide is a manual to provide product's basic installation information only. If you need all the information of the product, please download detailed manual following the steps specified below.

For registered users of our homepage

1. Visit IDTECK's homepage ([www.idteck.com](http://www.idteck.com)).
2. Click the Sign in button at the top of the homepage and log in using your registered ID and P/W.
3. Click the 'PRODUCT' menu at the main page of our website and select the product that you wish to download a manual for.
4. At the bottom part of the product's page you selected, click "DOWNLOAD" button and download the manual.

For un-registered users of our homepage

1. Visit IDTECK's homepage ([www.idteck.com](http://www.idteck.com)).
2. Please click "Member Join" menu at the top of our homepage and register your details following the registration process.
3. You can use your ID and P/W after web administrator approves it. Once it's approved, then please refer to "For registered users of our homepage" above.

Please contact us as below if you have any enquiries or issues arise.

IDTECK Headquarter  
5F, Ace Techno Tower B/D, 684-1, Deungchon-Dong,  
Gangseo-Gu, Seoul, 157-030, Korea  
Tel: +82-2-2659-0055  
Fax: +82-2-2659-0086  
E-mail: [webmaster@idteck.com](mailto:webmaster@idteck.com)  
Website: [www.idteck.com](http://www.idteck.com)

---



---

Memo

---

---

---

---

---

---

---

---

---

---

---

---

---

---

---

---

---



The specifications contained in this manual are subject to change without notice at any time.

5F, Ace Techno Tower B/D, 684-1, Deungchon-Dong,  
Gangseo-Gu, Seoul, 157-030, Korea  
Tel : +82-2-2659-0055  
Fax : +82-2-2659-0086  
E-mail : [webmaster@idteck.com](mailto:webmaster@idteck.com)