

### INTRODUCTION

#### WARNING

To prevent possible **SERIOUS INJURY** or **DEATH** from a moving gate or garage door:

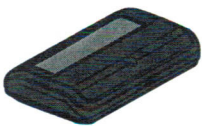
- ALWAYS keep remote controls out of reach of children. NEVER permit children to operate, or play with remote controls.
- Activate gate or door ONLY when it can be seen clearly, is properly adjusted, and there are no obstructions to door travel.
- ALWAYS keep gate or garage door in sight until completely closed. NEVER permit anyone to cross path of moving gate or door.

**NOTE:** The images are for reference and your product may look different.

#### PASSPORT REMOTE CONTROLS

Passport remote controls are compatible with LiftMaster® Security+ 2.0™ receivers (850LM, 860LM, STAR1000, PPWR), Security+ 2.0™ commercial door and gate operators, and Security+ 2.0™ residential garage door openers.

Model PPV1



Model PPV3



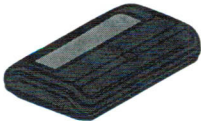
Models PPK1, PPK3, PPK1PH, and PPK3PH



#### PASSPORT LITE REMOTE CONTROLS

Passport Lite remote controls are compatible with LiftMaster® Security+ 2.0™ receivers (850LM, 860LM, STAR1000, PPWR), and Security+ 2.0™ commercial door operators.

Model PPLV1



Models PPLK1 & PPLK1PH



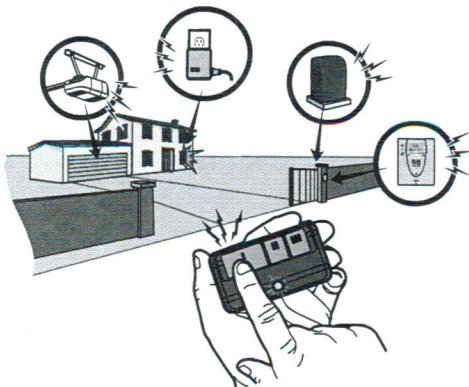
### HOW TO USE THE REMOTE CONTROL

Press and hold the button down until the door or gate starts to move. For key chain remote controls with a proximity sensor, hold the remote control 1-2" away from the reader face and wait for a confirmation beep or LED from the reader. Operation of the proximity sensor varies depending on the access control system. For additional information refer to the owner's manual for the access control system.

### 3-BUTTON REMOTE CONTROLS

Additional buttons on the remote control can be programmed to operate up to 3 devices such as additional garage door openers, light controls, gate operators or access control systems.

**NOTE:** Passport Lite remote controls are NOT compatible with residential garage door openers, garage door opener accessories and gate operators.



### THE REMOTE CONTROL BATTERY

#### WARNING

To prevent possible **SERIOUS INJURY** or **DEATH**:

- NEVER allow small children near batteries.
- If battery is swallowed, immediately notify doctor.

To reduce risk of fire, explosion or chemical burn:

- Replace ONLY with 3V2032 coin batteries.
- DO NOT recharge, disassemble, heat above 212° F (100° C) or incinerate.

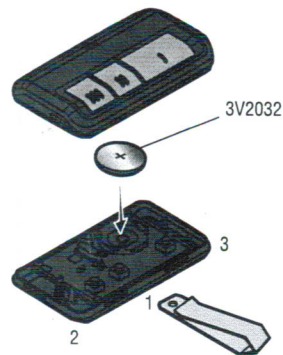
**NOTICE:** To comply with FCC and or Industry Canada rules (IC), adjustment or modifications of this receiver and/or transmitter are prohibited, except for changing the code setting or replacing the battery. THERE ARE NO OTHER USER SERVICEABLE PARTS.

Tested to Comply with FCC Standards FOR HOME OR OFFICE USE. Operation is subject to the following two conditions: (1) this device may not cause harmful interference, and (2) this device must accept any interference received, including interference that may cause undesired operation.

To replace battery, open the case as shown. Insert battery positive side up (+). Replace the battery with only 3V2032 coin cell battery. Dispose of old battery properly.

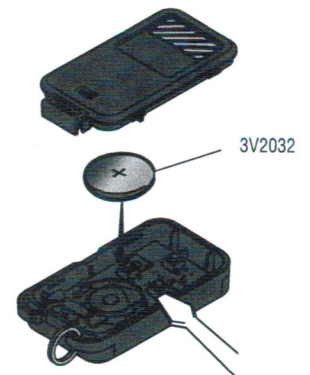
#### VISOR REMOTE

Pry open the case first in the middle (1), then at each side (2 and 3) with the visor clip.



#### KEY CHAIN REMOTE

Pry open the case with a screwdriver blade.



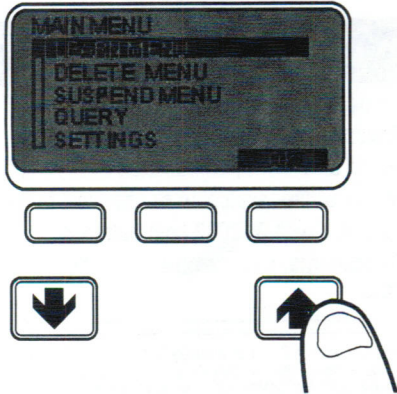
# PROGRAMMING

Depending on your LiftMaster® product, program the remote control using the LEARN button or the LCD menu.

**NOTE:** When using the Passport remote control with a Passport Wiegand Receiver (PPWR) connected to an access control system or gated entry, contact your property manager or LiftMaster® dealer for assistance. Passport Lite remote controls are NOT compatible with residential garage door openers and gate operators.

## PROGRAM USING AN LCD MENU

Navigate through the menu to the programming function and follow the instructions. Refer to your product manual for detailed programming instructions.



## ONE YEAR LIMITED WARRANTY

The Chamberlain Group, Inc. warrants to the first consumer purchaser of this product that it is free from defect in materials and/or workmanship for a period of 1 year from the date of purchase.

## REPLACEMENT PARTS

3V2032 Lithium battery .....	10A20
Visor Clip .....	29B137