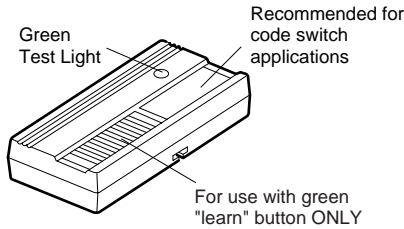


CHAMBERLAIN®
LiftMaster®
PROFESSIONAL
 Model 82LM Two-Function Remote Control
OWNERS' MANUAL

The push buttons on the Two-Function remote controls can activate garage door openers, entry ways and/or light controls. (Instructions for programming light products are included with those accessories.)

Code switch remote controls are used when several persons are operating the same device. Code switches must be set to matching positions in all remote controls used to operate the same receiver. Use the "smooth" push button, exclusively for code switch application. Follow the instructions described and shown below.

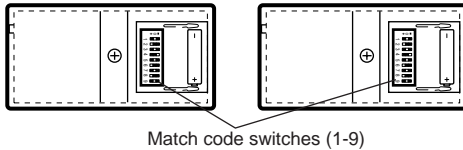
Figure 1



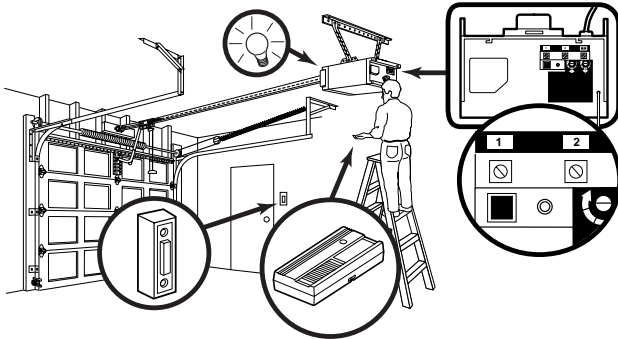
Program smooth push button (Code switch application)

1. Slide back the battery compartment cover on the bottom of the remote control housing
2. Place the old and new remote controls side by side. Make sure you set code switches 1 through 9 in all remotes to matching positions (Figure 2). Use a pen or screwdriver to move the switches to (+), (-) or (0).
3. Replace the battery compartment cover.

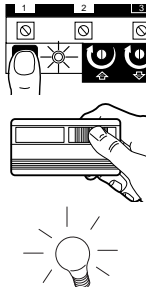
Figure 2



Program ribbed push button (Green "learn" button)



1. Press and release the "learn" button on the motor unit. The learn indicator light will glow steadily for 30 seconds.
2. Within 30 seconds, press and hold the button on the hand-held remote.
3. Release the button when the motor unit light blinks. It has learned the code. If light bulbs are not installed, two clicks will be heard.



⚠ WARNING

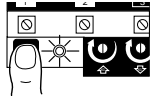
To prevent possible **SERIOUS INJURY** or **DEATH** from a moving gate or garage door:

- ALWAYS keep remote controls out of reach of children. NEVER permit children to operate, or play with remote control transmitters.
- Activate gate or door ONLY when it can be seen clearly, is properly adjusted, and there are no obstructions to door travel.
- ALWAYS keep gate or garage door in sight until completely closed. NEVER permit anyone to cross path of moving gate or door.

To Erase All Codes From Motor Unit Memory

To deactivate any unwanted remote, first erase all codes:

Press and hold the "learn" button on motor unit until the learn indicator light goes out (approximately 6 seconds). All previous codes are now erased. Reprogram each remote or keyless entry you wish to use.



The Remote Control Battery

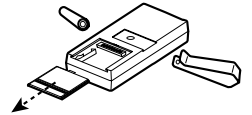
⚠ WARNING

To prevent possible **SERIOUS INJURY** or **DEATH**:

- NEVER allow small children near batteries.
- If battery is swallowed, immediately notify doctor.

The 12V battery should produce power for at least a year. If the green test light is dim or does not come on, replace the battery.

To change the battery, slide back the battery compartment cover. Position the new battery as indicated. Replace the battery compartment cover.



NOTICE: To comply with FCC and or Industry Canada rules, adjustment or modifications of this receiver and/or transmitter are prohibited, except for changing the code setting or replacing the battery. THERE ARE NO OTHER USER SERVICEABLE PARTS.

Tested to Comply with FCC Standards FOR HOME OR OFFICE USE. Operation is subject to the following two conditions: (1) this device may not cause harmful interference, and (2) this device must accept any interference received, including interference that may cause undesired operation.

Replacement Parts

Remote case only (circuit board not included)41A4680
Visor Clip29C128
12V battery10A14

FOR SERVICE, DIAL OUR TOLL-FREE NUMBER:

1-800-528-2817

CHAMBERLAIN®
LiftMaster®
PROFESSIONAL
Model 84LM Four-Function Remote Control
OWNERS' MANUAL

The push buttons on the Four-Function remote controls can activate garage door openers, entry ways and/or light controls. (Instructions for programming light products are included with those accessories.)

Code switch remote controls are used when several persons are operating the same device. Code switches must be set to matching positions in all remote controls used to operate the same receiver. Follow the instructions for Figures 1 and 2. Use the "ribbed" push button exclusively for code switch application.

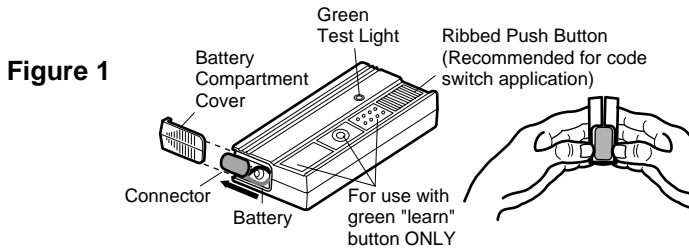
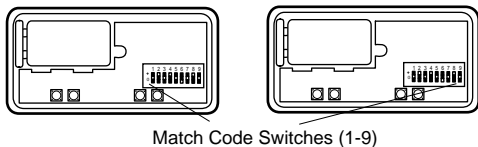


Figure 1

Program the Ribbed push button (Code switch application)

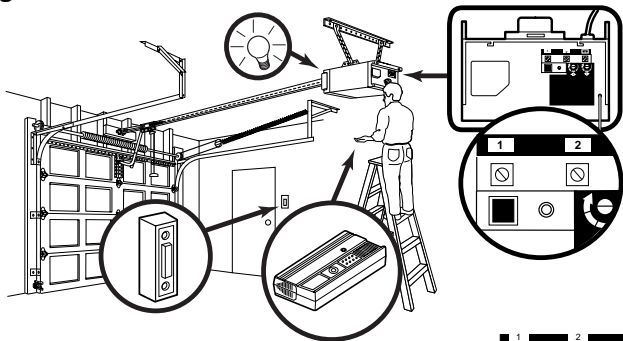
1. Remove the battery compartment cover as shown in Figure 1.
2. Remove the case screw on the housing bottom.
3. Hold the remote control as indicated and pull to separate the housing. Set aside the case top (with push buttons).
4. Place remote circuit boards side by side. Make sure you set code switches 1 through 9 in all remotes to matching positions (Figure 2). Use a pen or a screwdriver to move the switches to (+), (-) or (0).
5. Reassemble case top and bottom by snapping them together.
6. Replace the case screw and battery compartment cover.

Figure 2

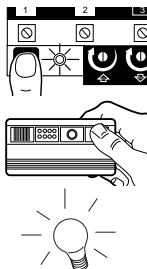


Match Code Switches (1-9)

Program Receiver to Match Remote Control Code



1. Press and release the "learn" button on the motor unit. The learn indicator light will glow steadily for 30 seconds.
2. Within 30 seconds, press and hold the button on the hand-held remote.
3. Release the button when the motor unit light blinks. It has learned the code. If light bulbs are not installed, two clicks will be heard.



**FOR SERVICE, DIAL OUR TOLL-FREE NUMBER:
 1-800-528-2817**

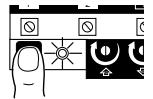
⚠ WARNING

To prevent possible **SERIOUS INJURY** or **DEATH** from a moving gate or garage door:

- ALWAYS keep remote controls out of reach of children. NEVER permit children to operate, or play with remote control transmitters.
- Activate gate or door **ONLY** when it can be seen clearly, is properly adjusted, and there are no obstructions to door travel.
- ALWAYS keep gate or garage door in sight until completely closed. NEVER permit anyone to cross path of moving gate or door.

To Erase All Codes From Motor Unit Memory

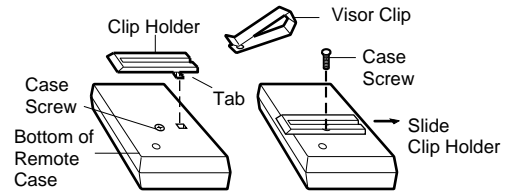
To deactivate any unwanted remote, first erase all codes: Press and hold the "learn" button on motor unit until the learn indicator light goes out (approximately 6 seconds). All previous codes are now erased. Reprogram each remote or keyless entry you wish to use.



To Attach the Visor Clip

1. Remove the visor clip from the clip holder.
2. Remove the case screw. Insert tab on clip holder through circular label and into case, Figure 3. Slide clip holder forward.
3. Replace the case screw (*do not overtighten*). Slide visor clip onto clip holder.

Figure 3



The Remote Control Battery

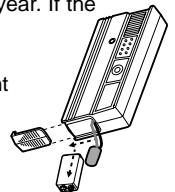
⚠ WARNING

To prevent possible **SERIOUS INJURY** or **DEATH**:

- NEVER allow small children near batteries.
- If battery is swallowed, immediately notify doctor.

The 9V battery should produce power for at least one year. If the green test light is dim or does not come on, replace the battery.

To change the battery, remove the battery compartment cover, unsnap the connector and remove the old battery. Insert a replacement battery. Snap the connector onto the new battery and replace compartment cover.



NOTICE: To comply with FCC and or Industry Canada rules, adjustment or modifications of this receiver and/or transmitter are prohibited, except for changing the code setting or replacing the battery. **THERE ARE NO OTHER USER SERVICEABLE PARTS.**
 Tested to Comply with FCC Standards FOR HOME OR OFFICE USE. Operation is subject to the following two conditions: (1) this device may not cause harmful interference, and (2) this device must accept any interference received, including interference that may cause undesired operation.

Replacement Parts

Remote case only (circuit board not included)41A4425
Visor Clip29C128
Visor Clip Holder31C412-1
9V battery10A16